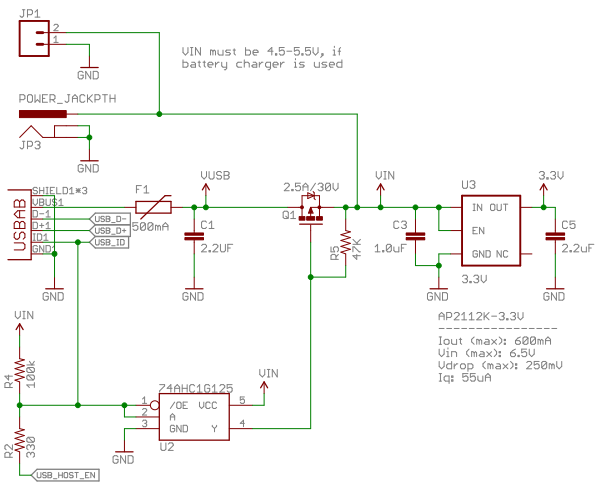
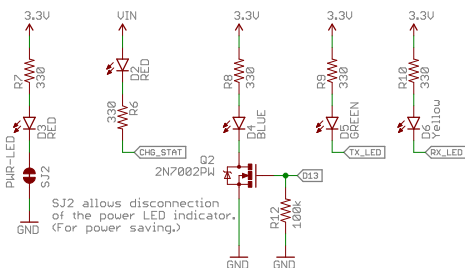


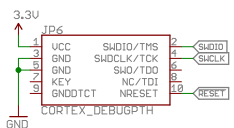
USB / Voltage Regulator



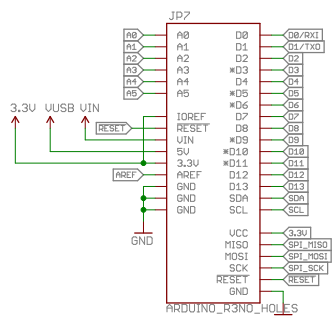
LEDs!!!



Cortex Debug/ Program Connector



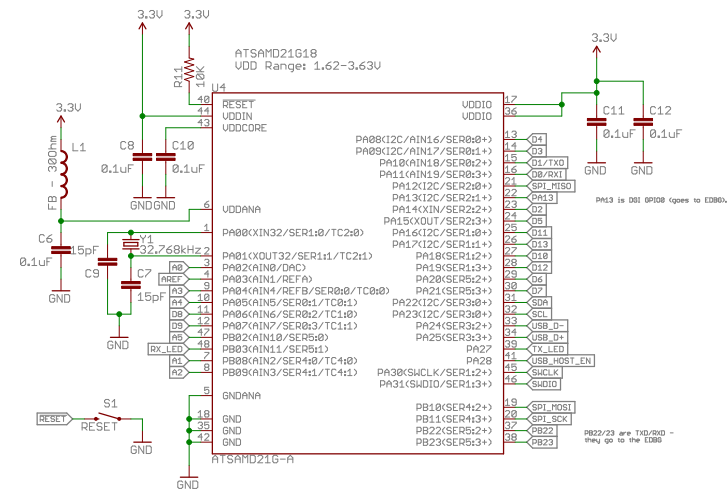
Arduino R3 Headers



Miscellany Pin Breakouts

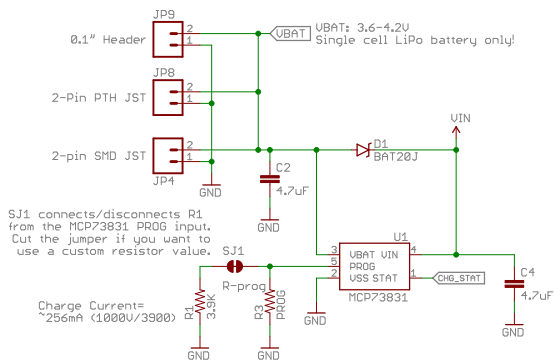


ATSAMD21G



This Cell Left Blank

Battery Input & Charge



Released under the Creative Commons Attribution Share-Alike 4.0 License
<https://creativecommons.org/licenses/by-sa/4.0/>

TITLE: sparkfun-samd21-pro-breakout-v1.0

Design by: Jim Lindblom
 Based on: Arduino Zero by Arduino.cc
 Arduino M0 by Arduino.org

REV: v1.0

Date: 11/12/2015 10:42:24 AM Sheet: 1/1